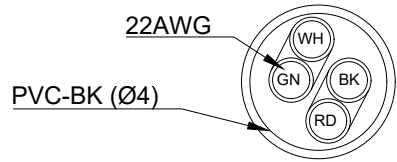
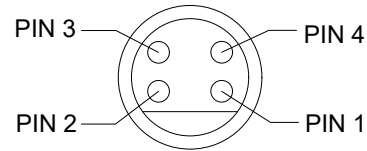


Revision Notes				
R1-				
APA: -	Drawn:-	Checked:-	Approved:-	Date: 07.02.20

SECTION A:A



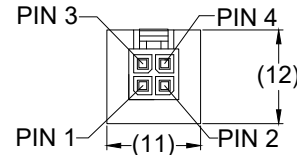
VIEW A



4 PIN MALE MATING FACE

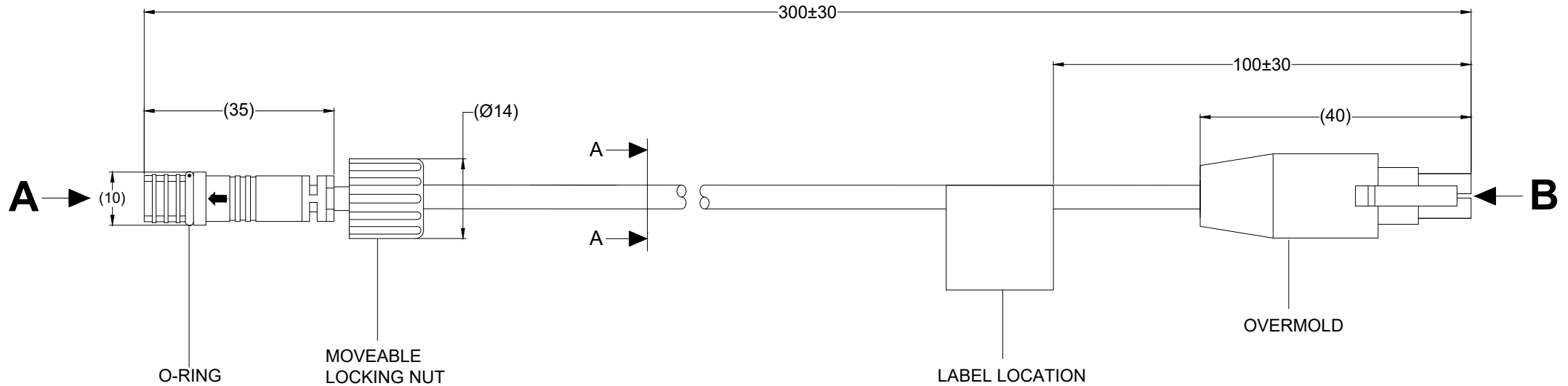
PIN #	WIRE COLOUR
1	RED
2	GREEN
3	BLACK
4	WHITE

VIEW B



4 PIN MALE MATING FACE (MOLEX, 43025-0400)

PIN #	WIRE COLOUR
1	RED
2	GREEN
3	BLACK
4	WHITE



NOTES:

- INTERNAL CABLES SHOULD BE ONE CONTINUOUS LENGTH BETWEEN CONNECTORS.
- FOR PRODUCT LABEL AND PACKAGING DETAILS REFER TO MASTER BOM.
- PINS 1 AND 3, PINS 2 AND 4 ARE TWISTED PAIRS, TWIST PITCH IS 25MM±3MM.

PROPRIETARY NOTICE

THIS DESIGN AND TECHNICAL INFORMATION APPEARING ON THIS DRAWING IS THE PROPERTY OF BRIGADE ELECTRONICS, AND IS DISCLOSED IN CONFIDENCE. IT IS NOT TO BE COPIED, REPRODUCED, REVEALED TO OR EXPROPRIATED BY OTHERS, EITHER IN WHOLE OR IN PART WITHOUT THE EXPRESS WRITTEN CONSENT OF BRIGADE ELECTRONICS.

BRIGADE

Assembly Pl Approval A. YAO	Approved by B. CHILDS	Checked by S. GOVENDER	Drawn by F. ADEMUJIMI
Angle of Projection	Units mm	Scale N/A	Released 25/08/20
Third Angle	Status RELEASED	Assembly Ref SSP-0.3-AC2	
	Part No 6067	BE-004296-00-20	